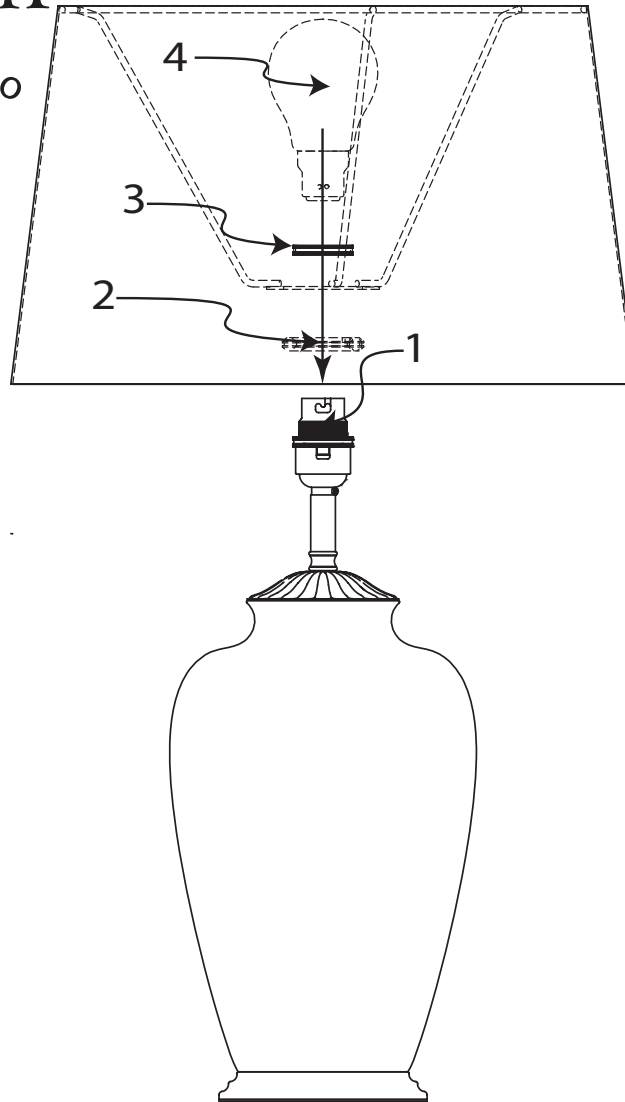


Assembly Instructions

Bayonet Table Lamps

ROCHAMP

by
Interiors 1900



Base style may vary. Shade must be ordered separately, and will be supplied in a separate box.

Please take care when moving the lamp to not damage or put unnecessary force on the flexible cord.

1. First check if your shade is an B22 fitting. If it is, larger reduction rings (2) are available (but not provided). If a reduction ring is required fit it to the shade before proceeding.
2. With the power off remove the shade ring (3) from the bulb holder (1). Place the shade over the bulb holder and secure with the shade ring (3).
3. Fit the desired bulb (4) taking note not to exceed the wattage on the bulb holder label.
4. Place your lamp in a suitable location, plug in and ensure the cable is not strained or create a trip hazard. Your lamp is now ready for use.

Turn off the lamp and allow to cool for 10 minutes before cleaning, adjusting or changing bulbs.

It is advisable to remove the shade from the base when moving the lamp.

If the external flexible cable or cord of this Luminaire is damaged it should be exclusively replaced by the manufacturer or his service agent or a similar qualified person.



Suitable for indoor use only.

www.interiors1900.co.uk

Lighting Association Accredited
LS9 OSE 22/08/2016